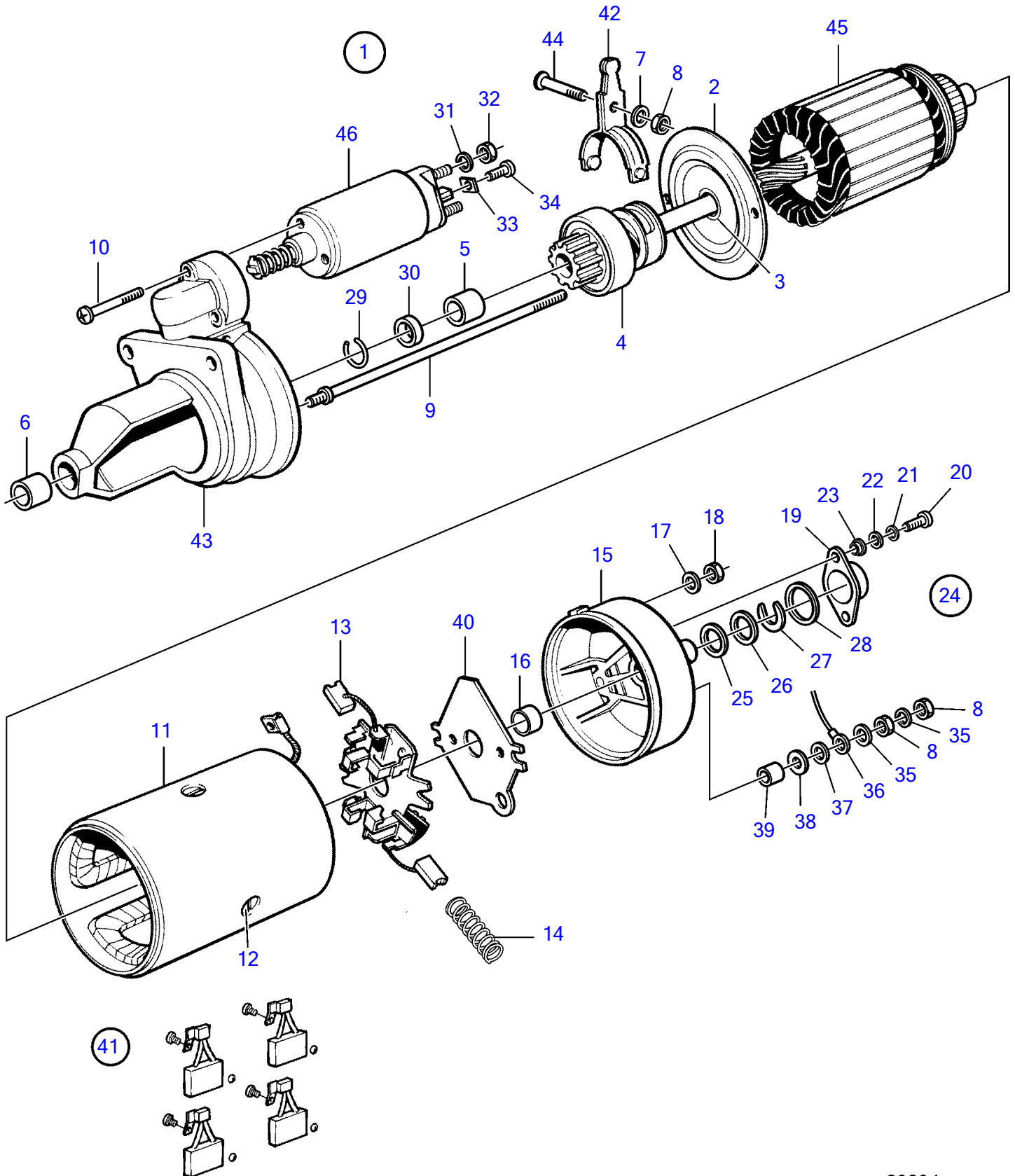


AD31L-A, AD31P-A, AD41L-A, AD41P-A, D41L-A, TAMD31L-A, TAMD31M-A, TAMD31P-A, TAMD31S-A, TAMD41H-A, TAMD41H-B, TAMD41P-A, TAMD41L-A, TAMD41M-A, TMD31L-A, TMD41L-A



23094

AD31L-A, AD31P-A, AD41L-A, AD41P-A, D41L-A, TAMD31L-A, TAMD31M-A, TAMD31P-A, TAMD31S-A, TAMD41H-A, TAMD41H-B, TAMD41P-A, TAMD41L-A, TAMD41M-A, TMD31L-A, TMD41L-A

REF	PART NO.	QTY	DESCRIPTION	SEE SEC.	NOTES
1	838987	1	Starter motor		24V
2	(6210770)	1	• Bearing shield		Obsolete part
3	6644949	1	• • Bearing bushing		
4	1696543	1	• Starter pinion		
5	6210772	1	• • Bearing bushing		
6	48109	1	• Bearing bushing		
7	941907	1	• Spring washer		
8	947941	3	• Hexagon nut		
9	(6210774)	2	• Screw		Obsolete part
10	(1696544)	3	• Screw		Obsolete part
11	(6210775)	1	• Field winding		Obsolete part
12	6211936	4	• Screw		
13	858686	1	• Brush retainer		
14	6211874	4	• Spring		
15	(858687)	1	• Bearing shield		Obsolete part
16	6210777	1	• • Bearing bushing		
17	(86287)	2	• Washer		Obsolete part
18	955781	2	• Hexagon nut		
19	(858688)	1	• Cover		Obsolete part
20	969407	2	• 6 point socket screw		
21	941905	2	• Spring washer		
22	(858696)	2	• Washer		Obsolete part
23	(858695)	2	• Bushing		Obsolete part
24	829707	1	• Small parts kit		
25		1	• • Spacer		
26		1	• • Spacer		
27		1	• • Lock washer		
28		1	• • Gasket		
29		1	• • Lock ring		
30		1	• • Washer		
31		2	• Washer		
32	971080	2	• Hexagon nut		
33	(858689)	1	• Clamping brace		Obsolete part
34	956058	1	• Cross recessed screw		
35	941907	2	• Spring washer		
36		X	• electrical materials	1963	
37	955894	1	• Washer		
38	(858693)	1	• Insulating sheet		Obsolete part
39	(858692)	1	• Bushing		Obsolete part
40	(858691)	1	• Isolation plate		Obsolete part
41	6210778	1	• Brush set		
42	(1696545)	1	• Engagement lever		Obsolete part
43	(1696578)	1	• Bearing shield		Obsolete part
44	6210773	1	• Screw		
45	6210769	1	• Anchor		
46	858697	1	• Solenoid		